

## Intro

The JGA2008 is a universal pump unit with one digital input and one relay output.



## Liability and warranty

Every JGA2008 is checked before sending for correct operation.  
Therefore Boutronic has a warranty period of 1 year.

The warranty expires if:

- The defect is caused by gross negligence or by improper installation
- Repairs and/or modifications to the JGA2008 without permission from Boutronic.

Boutronic is in no way liable for damage caused as a direct or indirect consequence by the use of the JGA2008.



For more information see: <http://www.boutronic.nl/producten>

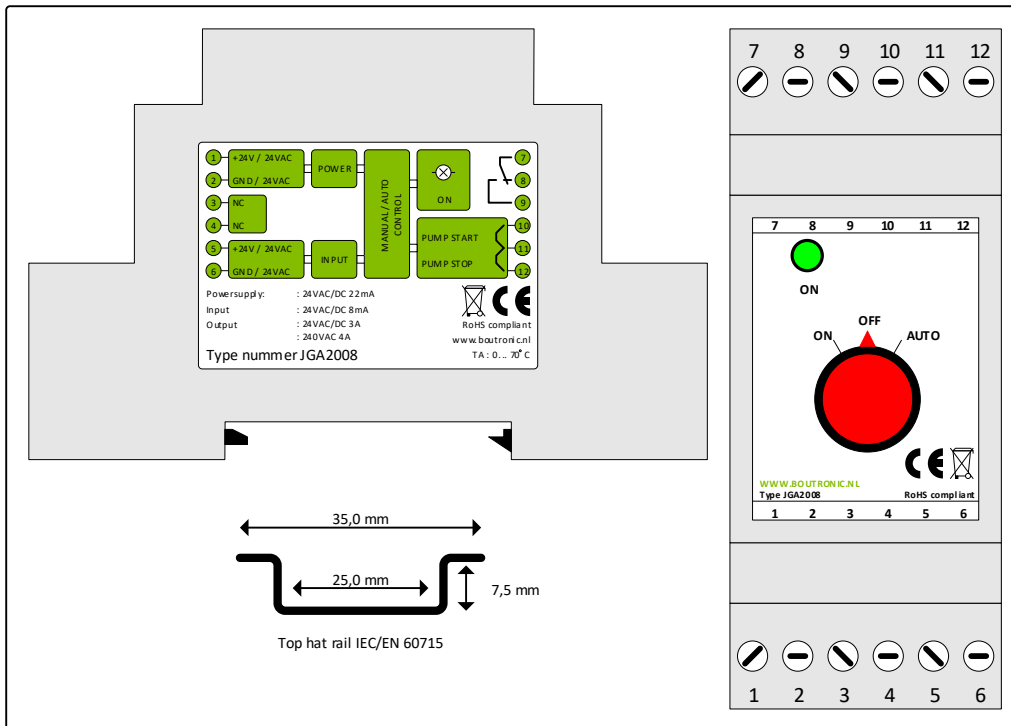
Manual PompUnit JGA2008  
October 2021  
[www.boutronic.nl](http://www.boutronic.nl)

# Menu

<b>INTRO</b> .....	<b>1</b>
<b>LIABILITY AND WARRANTY</b> .....	<b>1</b>
<b>MENU</b> .....	<b>2</b>
<b>CONNECTIONS</b> .....	<b>3</b>
POWER SUPPLY INPUT .....	3
INPUT .....	3
SCHEMATIC .....	4
CONNECTING EXAMPLES .....	4
<b>CE MARKING</b> .....	<b>5</b>
<b>MEASUREMENTS</b> .....	<b>5</b>
<b>TECHNICAL SPECIFICATIONS</b> .....	<b>6</b>
GENERAL .....	6
POWER SUPPLY .....	6
INPUTS OPEN / CLOSE .....	6
OUTPUTS .....	6

## Connections

In the figure below, the JGA2008 is shown schematically:



### Power supply input

The power supply for the JGA2003 is 20 ... 30VDC or 20 ... 24 VAC, internally single-sided rectified.

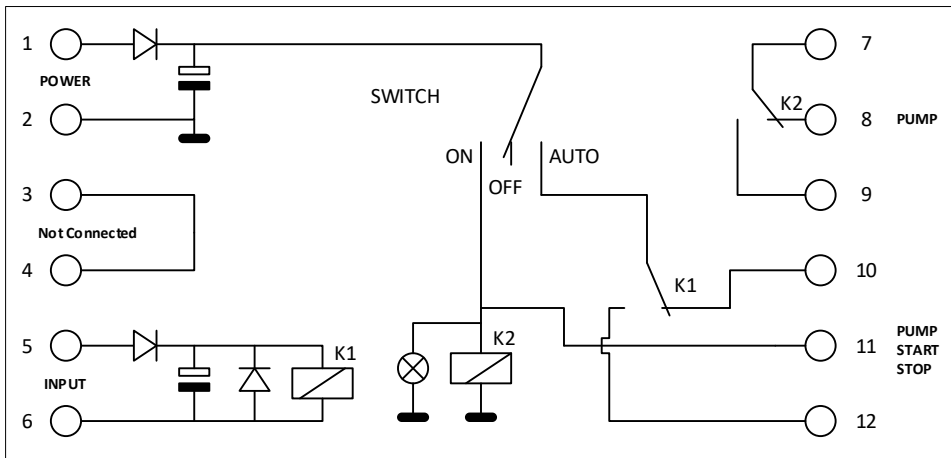
### Input

The input is galvanically isolated and has 2 connections. This input can work with a COMMON and plus or a COMMON and a negative. The input can be driven with 15 to 24 VAC or 15 to 30 VDC. To drive the input a minimal current of 8 mA is needed.

When the input is driven with a triac, it can be that the current is too low for proper working. Then use an extra relay.

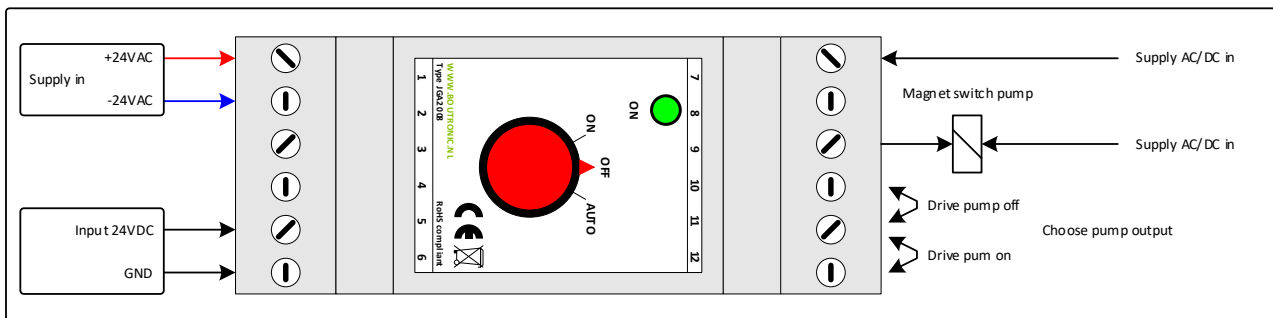
### Schematic

In the figure below the internal schematics are shown simplified. The power input is used for switching the relay with contact K2. The input can be a different voltage than the power input. For example: in this way the power supply can be 24 VDC and the input 24 VAC.

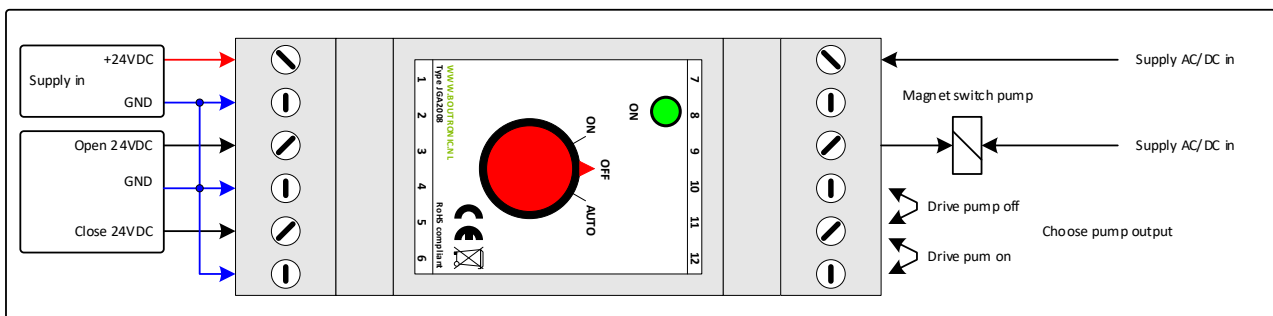


### Connecting examples

The figure below shows an example on how to drive a magnet switch. The power supply and the input have a different voltage.



In the figure below shows an example on how to drive a magnet switch. The power supply and input have the same voltage.

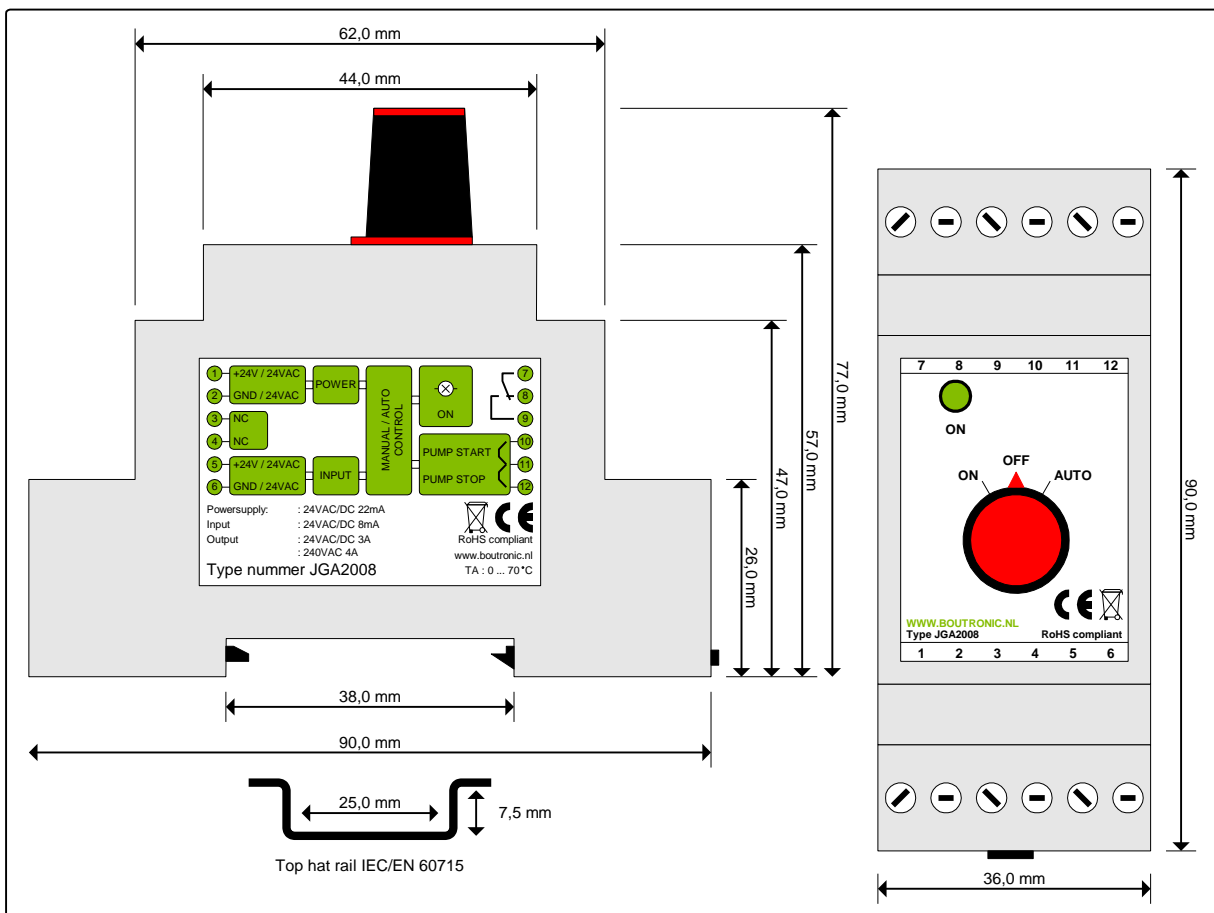


# CE marking

The JGA2008 PumpUnit is designed according the following directives for EMC/EMI and meets these requirements. No official EMC test has been performed by a notified body to confirm this.

Description	Directives
The EMC Directive	<b>2014/30/EU</b>
The RoHS-II Directive	<b>2011/65/EU</b>
NEN-EN-IEC 61000-6-1:2019	<b>Electromagnetic compatibility (EMC) - Part 6-1: Generic standards. Immunity for residential, commercial and light-industrial environments</b>

## Measurements



## Technical specifications

### General

Part	Value	Unit	Remarks
Measurements	90 x 36 x 57	mm	L x B x H
Mounting	DIN-rail (Top hat rail)		IEC/EN 60715
Material	Plastic ABS		
Weight	80	gram	
Temperature storage	-30 ... +85	°C	
Temperature operational	-20 ... +70	°C	

### Power supply

	Min	Typ.	Max	Unit	Remarks
Power supply in	20	24	30	VDC	
	20	24	24	VAC	
	-	35	-	mA	

### Inputs Open / Close

	Min	Typ.	Max	Unit	Remarks
Separation	-	-	3750	Vrms	Galvanically
Input voltage	20	-	30	VDC	
	20	-	24	VAC	
Input current	8	-	10	mA	

### Outputs

Part	Min	Typ.	Max	Unit	Remarks
Separation			3750	Vrms	Galvanically
Relay contacts	1	-	4000	mA	
	1	-	230	VACDC	